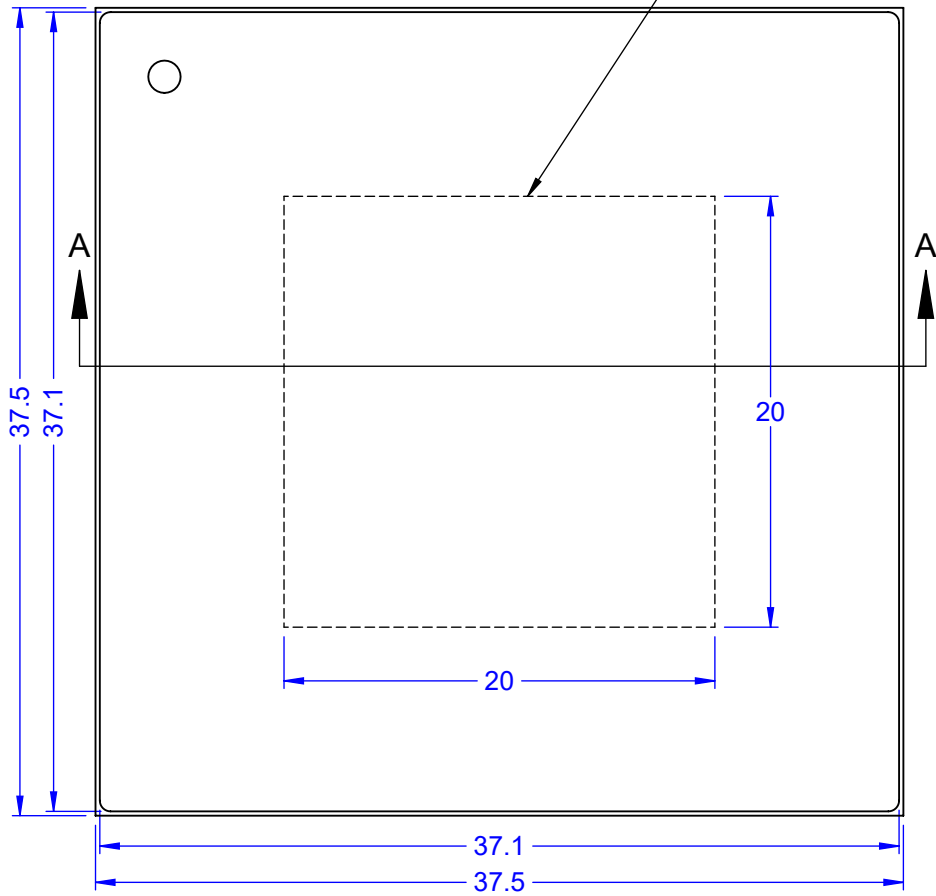
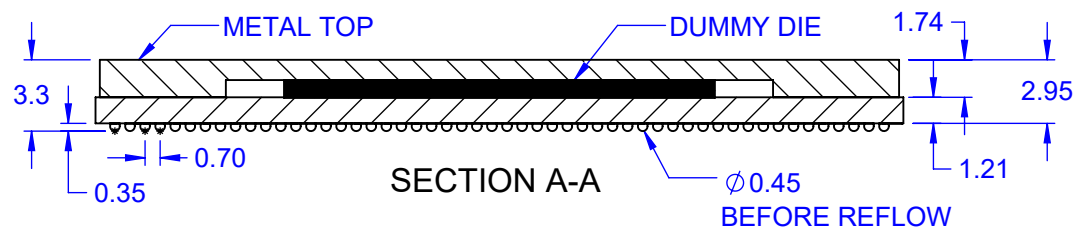
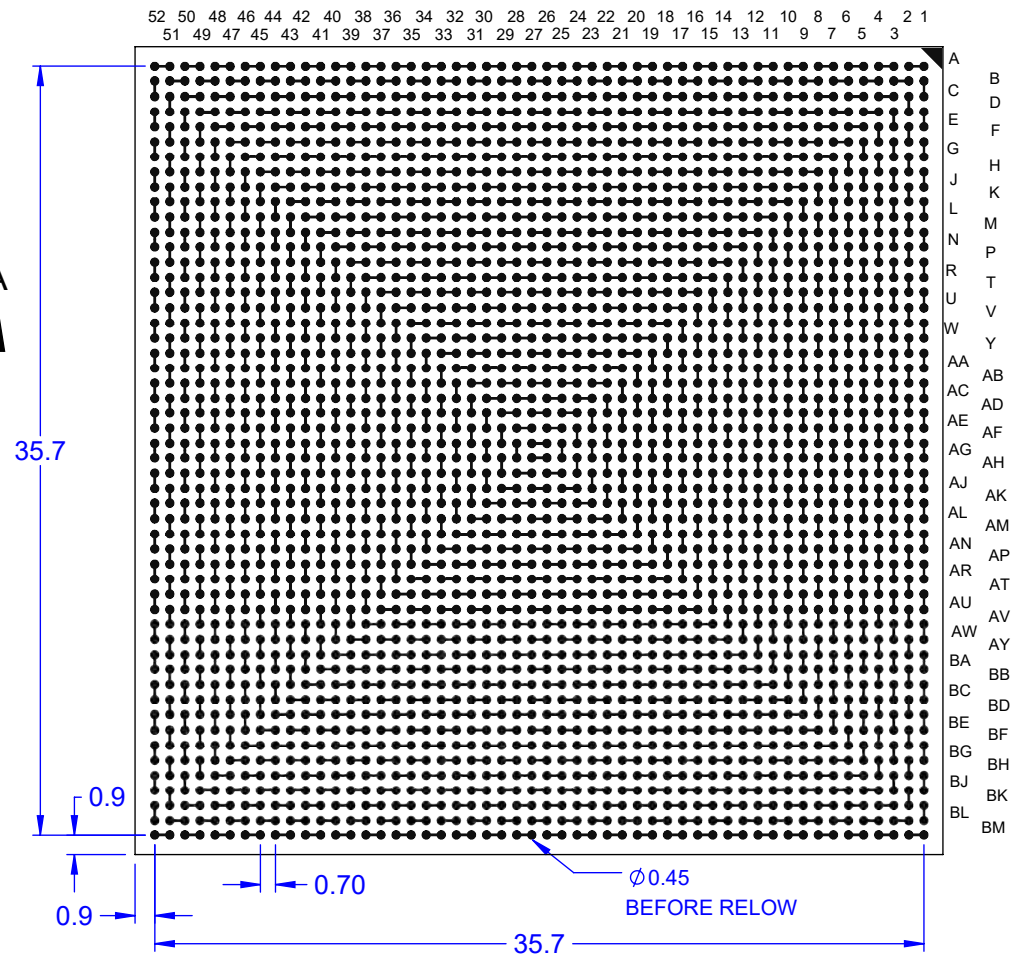


TOP VIEW

OPTIONAL
DUMMY DIE



BALL VIEW



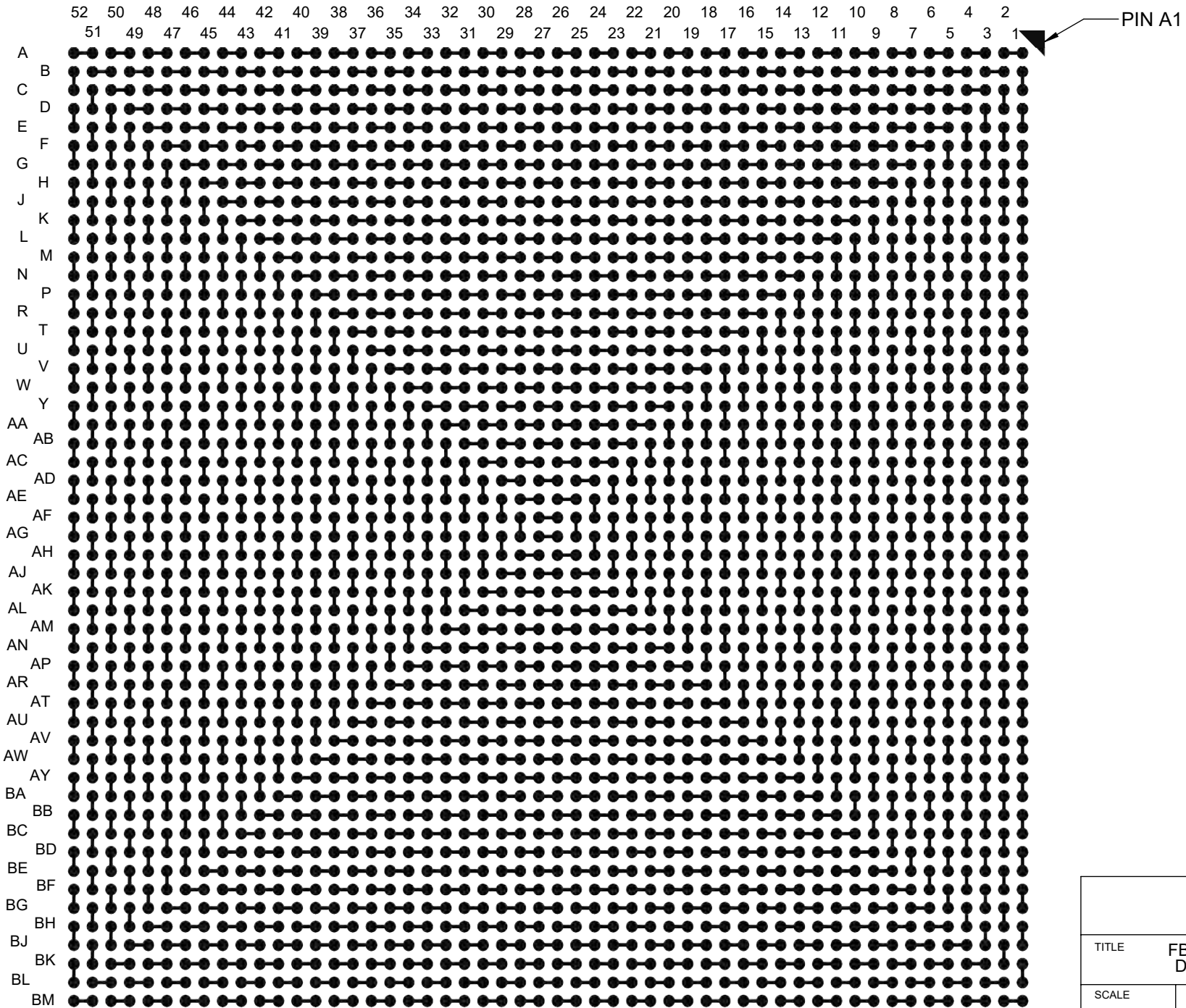
- Notes: (Unless Otherwise Specified).
 1) ALL DIMENSIONS ARE IN MM.
 2) SOLDER BALL ALLOY: SEE PART NUMBER TABLE.
 3) BALL DIAMETER (BEFORE REFLOW): 0.45mm (18 MIL).
 4) SOLDER MASK DEFINED PAD OPENING: 0.356mm (14 MIL).
 5) PAD Cu DIAMETER: 0.45mm (18 MIL).
 6) SUBSTRATE MATERIAL: BT ORGANIC.
 7) DUMMY DIE Si (SILICON) 20 x 20 x .675mm.
 8) DAISY CHAIN PATTERN (SEE PAGE 2).
 9) MSL-3 RECOMMENDED BAKING 24 HOURS @ 125°C TO REMOVE MOISTURE PRIOR SOLDERING TO PC BOARD.

PART NUMBER TABLE

PART NUMBER	BALL ALLOY	BALL ALLOY	RoHS	Si DIE
FBGA2704T.7C-DC529D	Sn96.5/Ag3.0/Cu0.5	SAC305	YES	YES
FBGA2704T.7-DC529D	Sn63 Pb37	SnPb	YES	YES

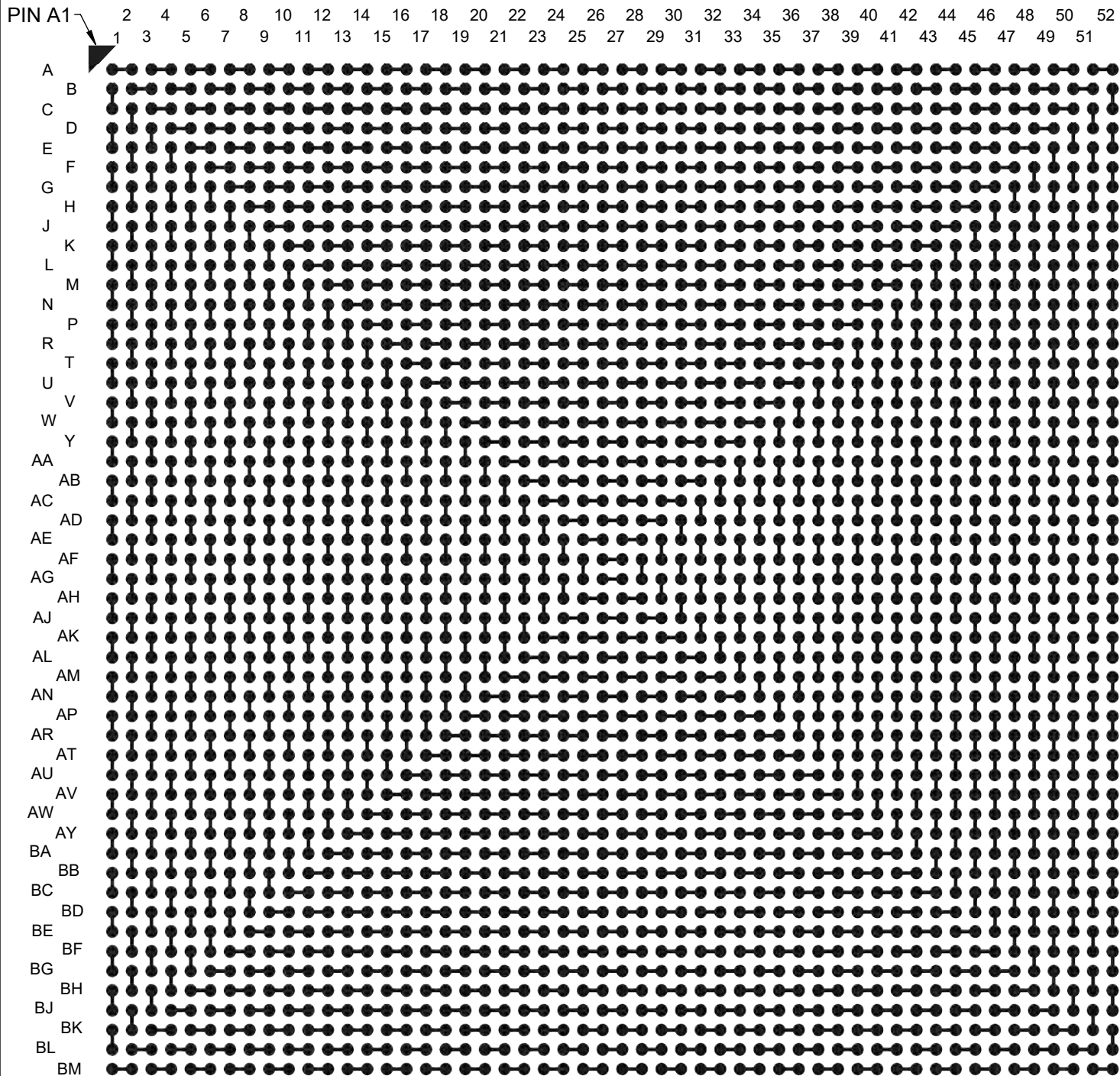
APPROVALS	DATE	TopLine [®]			
DRAWN T.Au	6/10/2024				
ENG M. Hart	6/10/2024	TITLE FBGA2704T.7-DC529D DAISY CHAIN DUMMY			
MFG		SCALE 1.75:1	SIZE A	DRAWING NO. 575290	REV A
QA		DO NOT SCALE DRAWING			SHEET 1 OF 8
CUST					
REVISED					

BALL VIEW



TopLine®			
TITLE FBGA2704T.7-DC529D DAISY CHAIN DUMMY			
SCALE 3.5:1	SIZE A	DRAWING NO. 575290	REV A
DO NOT SCALE DRAWING			SHEET 2 OF 8

BOTTOM SIE (TOP X_RAY VIEW)



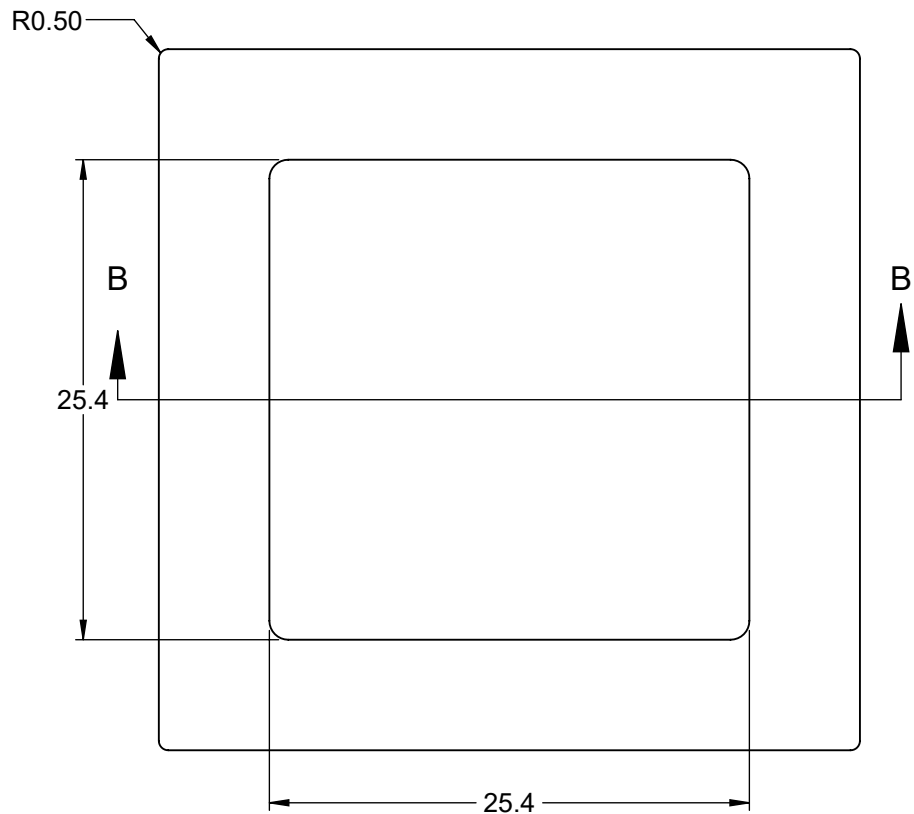
TopLine[®]

TITLE FBGA2704T.7-DC529D
DAISY CHAIN DUMMY

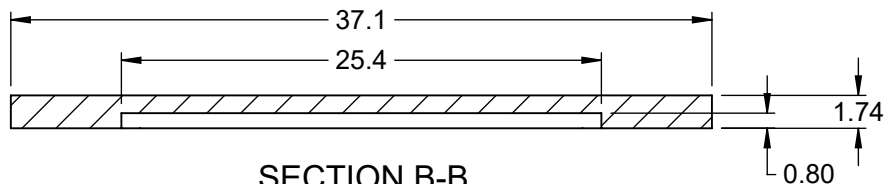
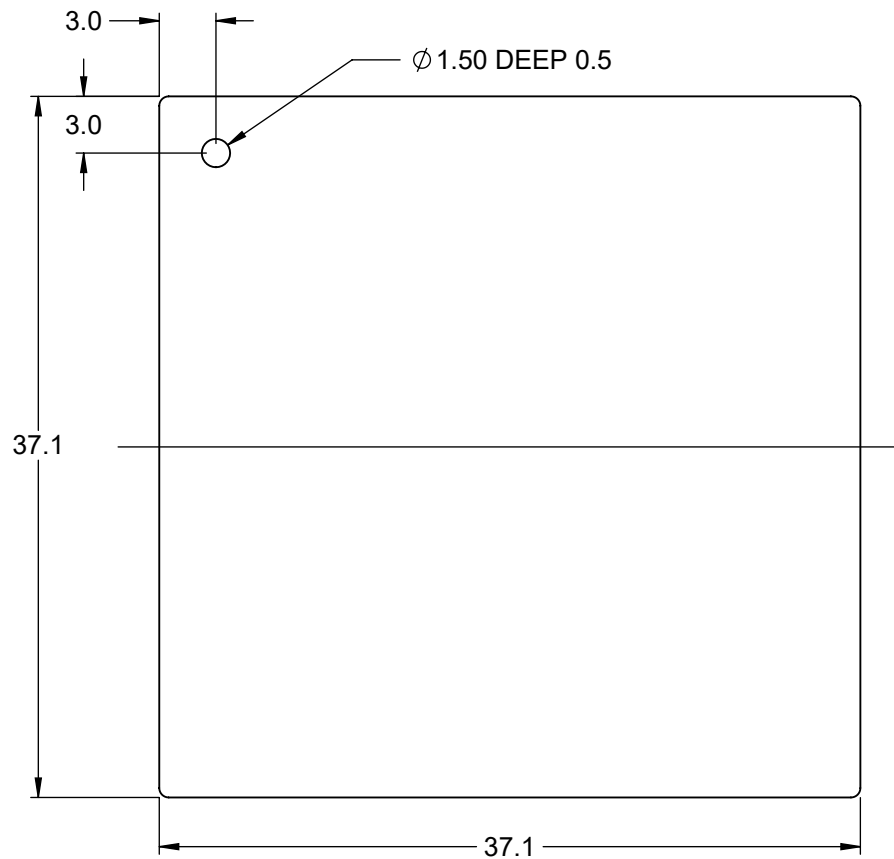
SCALE 3.5:1	SIZE A	DRAWING NO. 575290	REV A
----------------	-----------	-----------------------	----------

HEAT SPREADER

CAVITY VIEW



TOP VIEW



SECTION B-B
SCALE 3 : 1

Notes: (Unless Otherwise Specified).

1. DIMENSIONS MM
2. MATERIAL: COPPER ALLOY C101, C102 or C110
QUARTER OR HALF HARD OXYGEN FREE
3. PLATING NICKEL 5um (200u-inch) MIN. SEMI FINISH
4. TOLERANCE $\pm 0.1\text{mm}$ ($\pm .004\text{-inch}$)

TopLine[®]

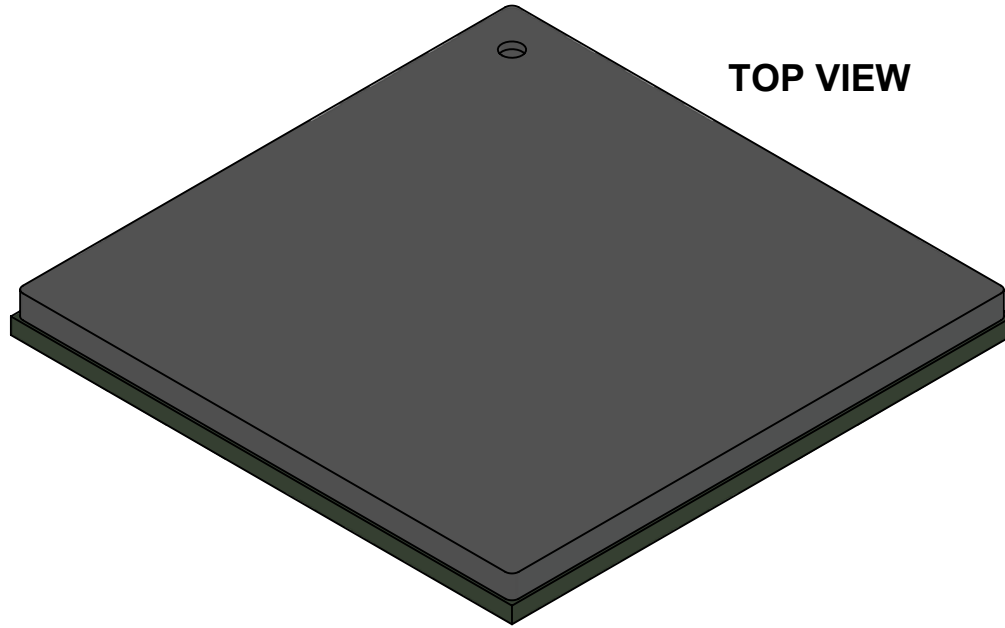
TITLE FBGA2704T.7-DC529D
DAISY CHAIN DUMMY

SCALE	SIZE	DRAWING NO.	REV
3:2	A	575290	A

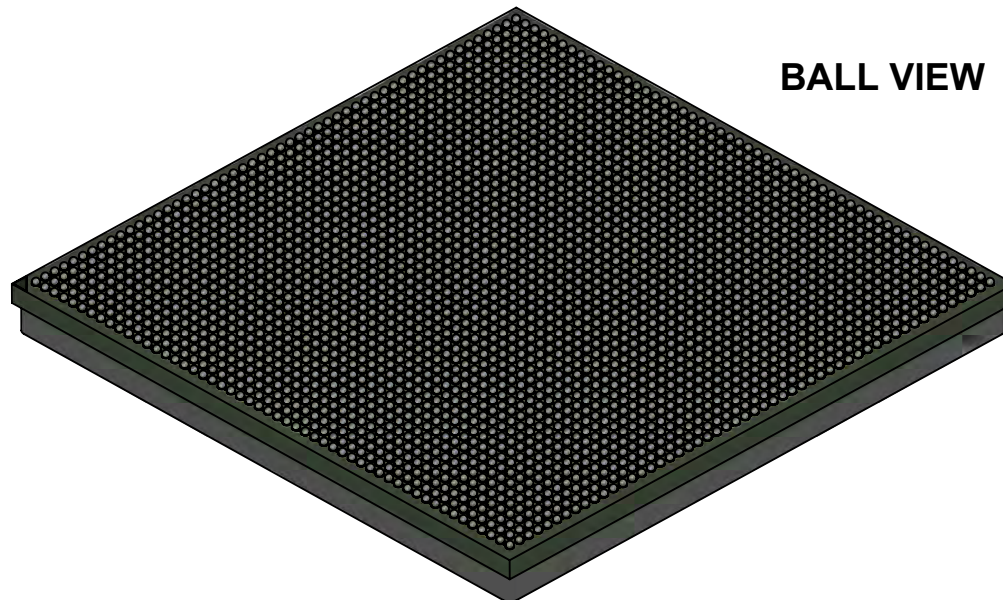
DO NOT SCALE DRAWING

SHEET 4 OF 8

MODEL



TOP VIEW



BALL VIEW

TopLine[®]

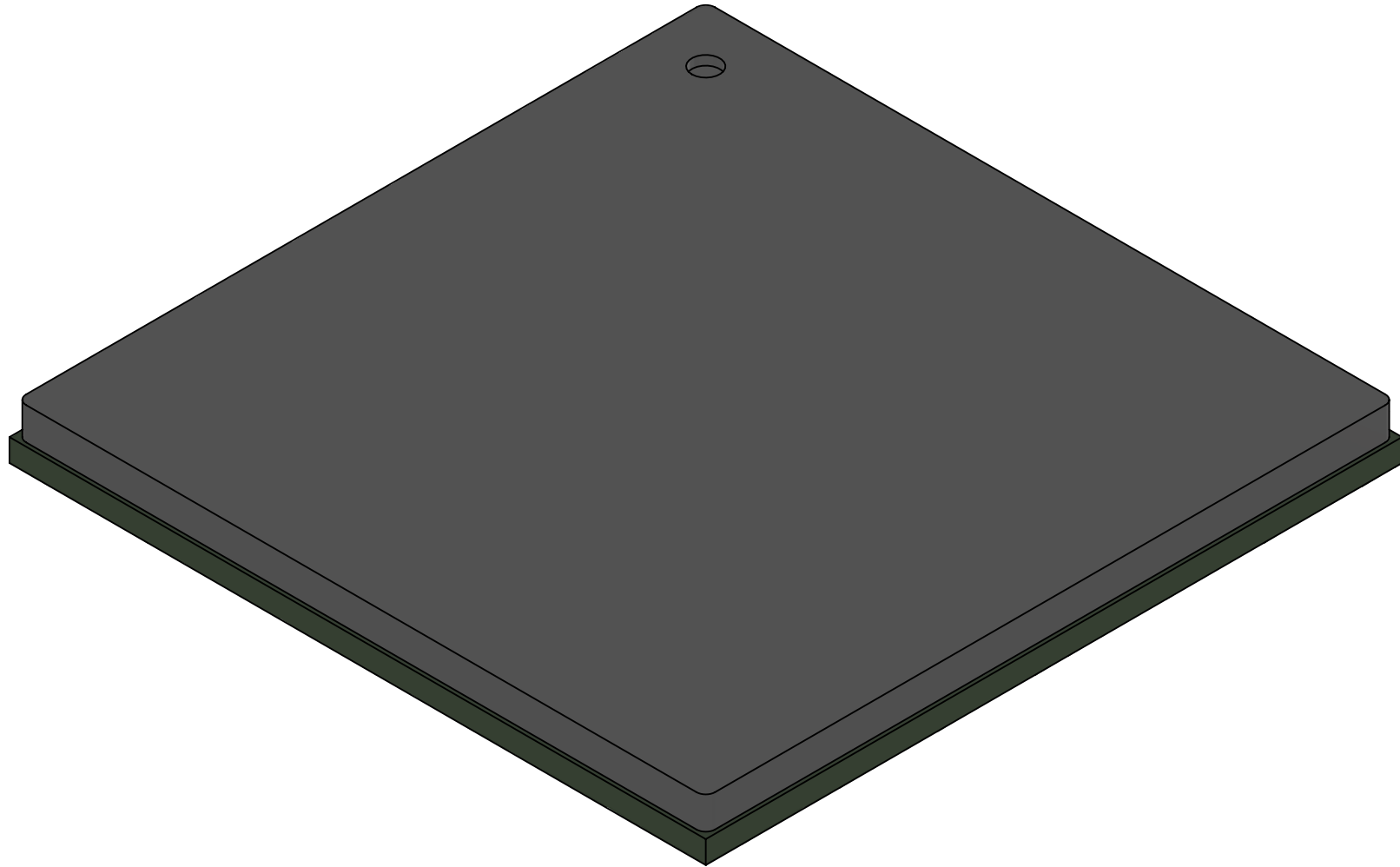
TITLE FBGA2704T.7-DC529D
DAISY CHAIN DUMMY

SCALE 2:1	SIZE A	DRAWING NO. 575290	REV A
--------------	-----------	-----------------------	----------

DO NOT SCALE DRAWING

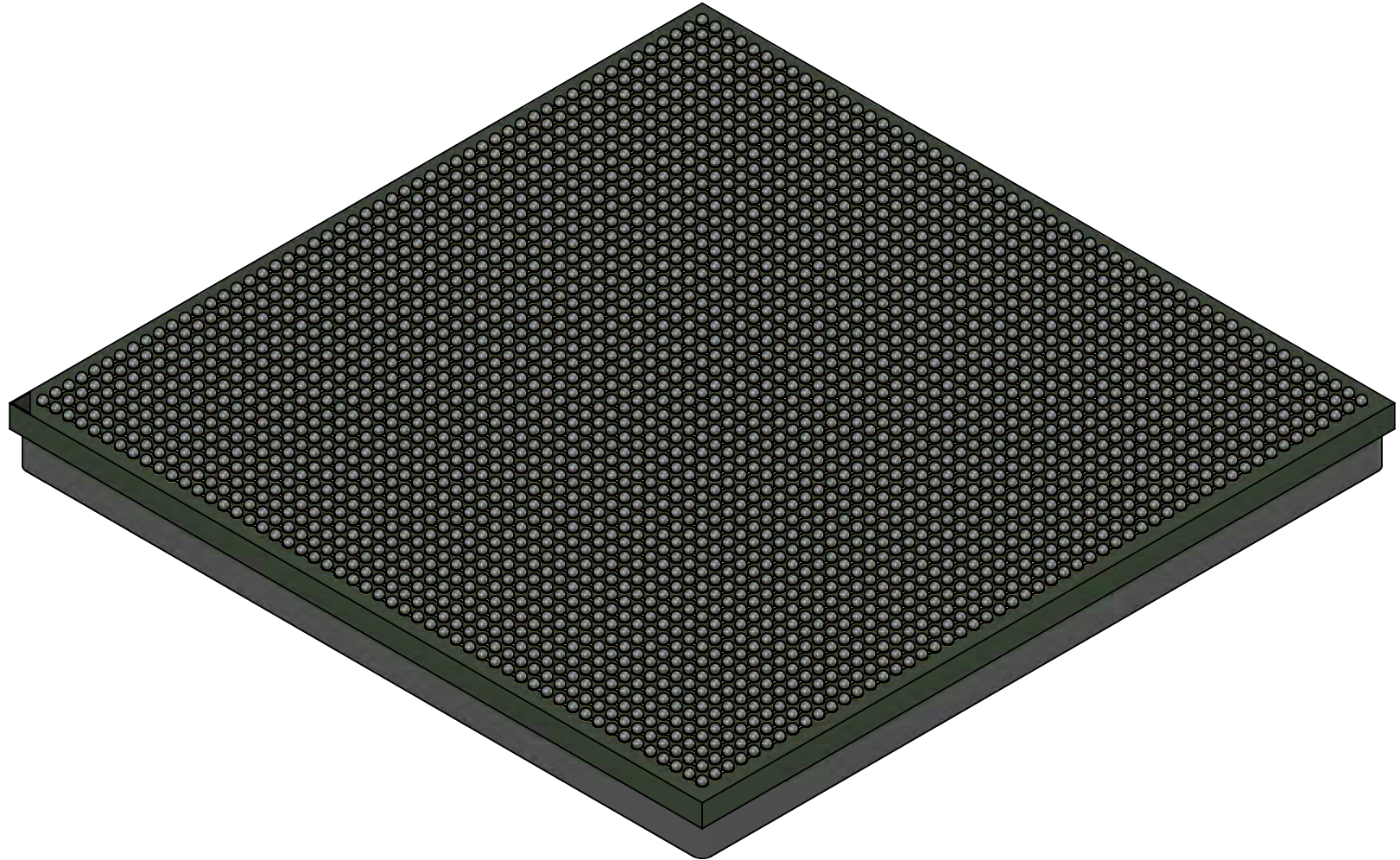
SHEET 5 OF 8

**MODEL
TOP VIEW**



TopLine[®]			
TITLE		FBGA2704T.7-DC529D DAISY CHAIN DUMMY	
SCALE	SIZE	DRAWING NO.	REV
3:1	A	575290	A
DO NOT SCALE DRAWING			SHEET 6 OF 8

MODEL
BALL VIEW



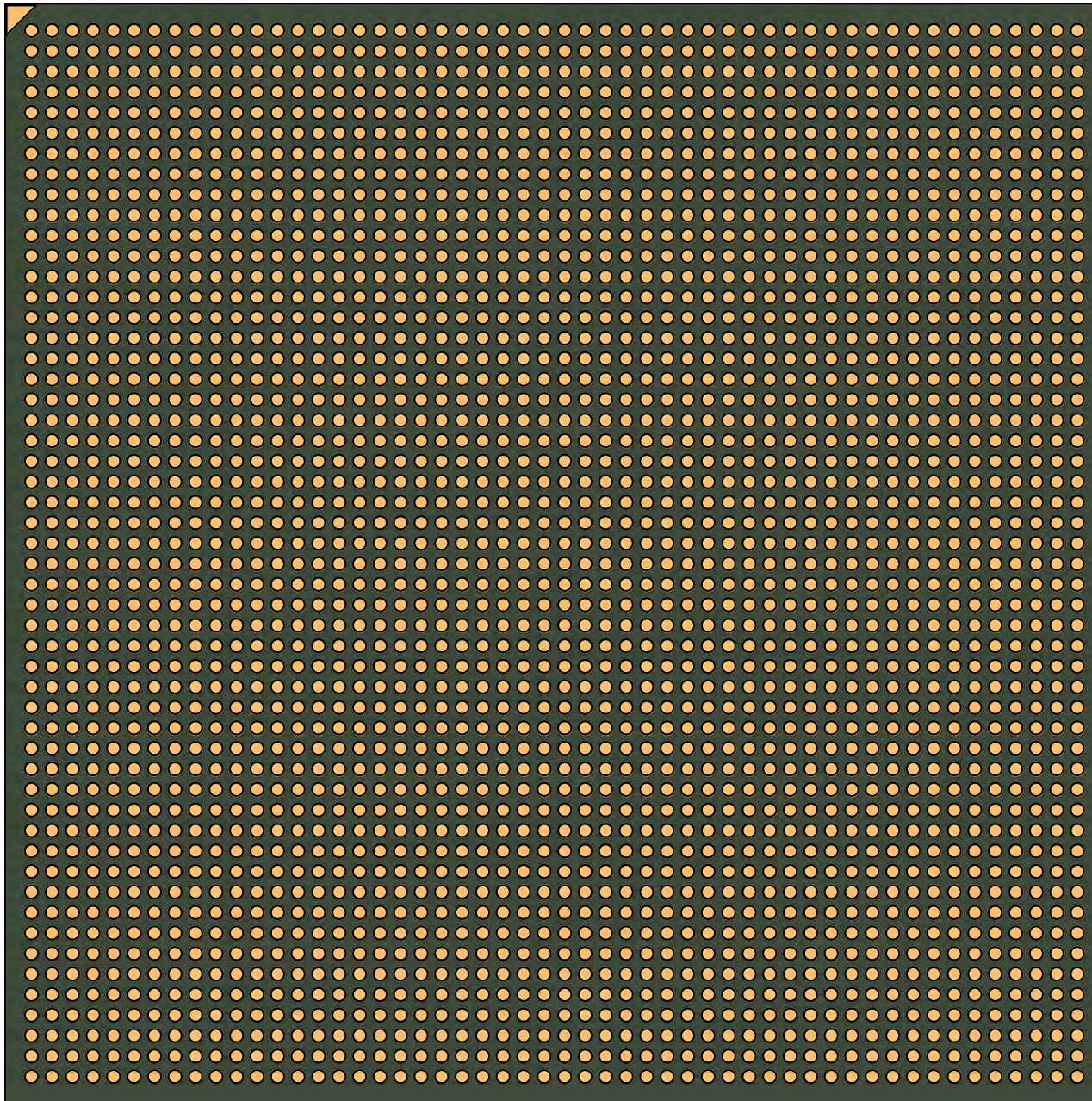
TopLine[®]

TITLE FBGA2704T.7-DC529D
DAISY CHAIN DUMMY

SCALE 3:1	SIZE A	DRAWING NO. 575290	REV A
--------------	-----------	-----------------------	----------

DO NOT SCALE DRAWING SHEET 7 OF 8

BOTTOM SOLDERMASK (RIGHT READING)



TopLine[®]

TITLE FBGA2704T.7-DC529D
DAISY CHAIN DUMMY

SCALE 3.5:1	SIZE A	DRAWING NO. 575290	REV A
----------------	-----------	-----------------------	----------

DO NOT SCALE DRAWING

SHEET 8 OF 8